

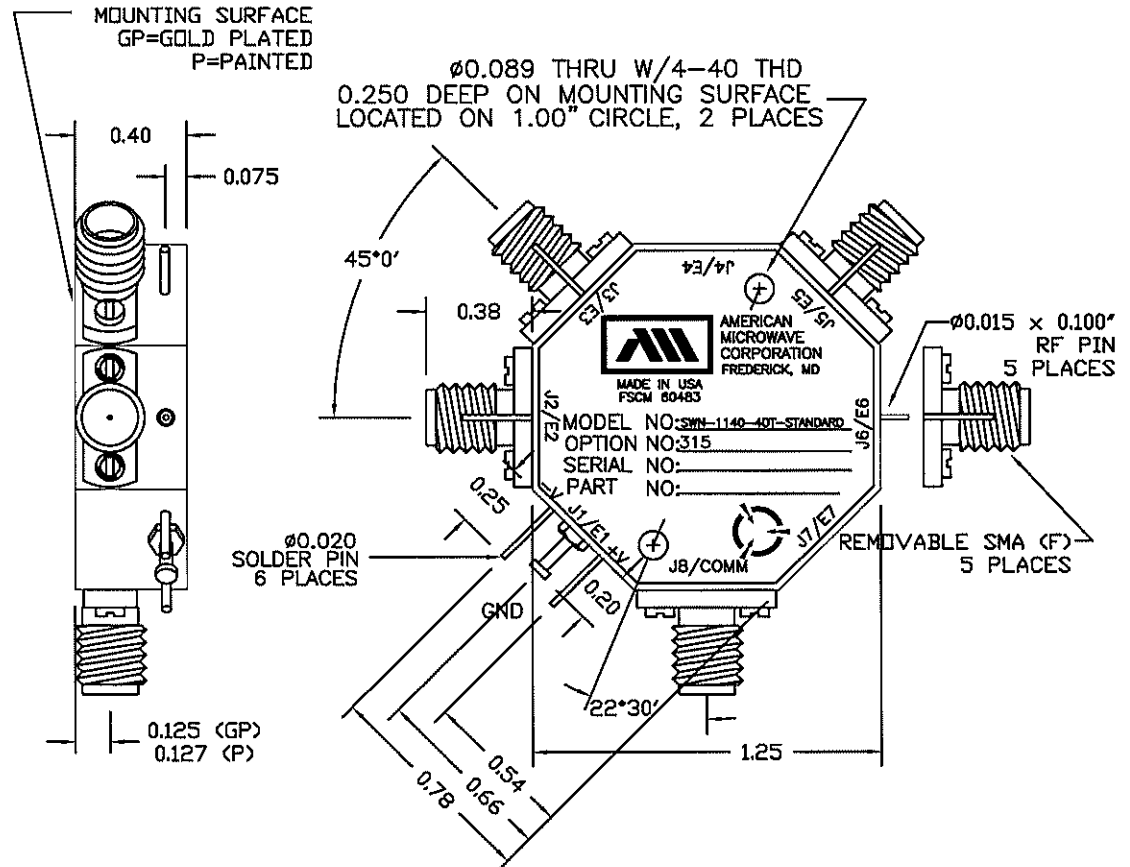
DESCRIPTION:

AMC MODEL SWN-1140-4DT-STANDARD OPT. 315 IS A SINGLE POLE FOUR THROW, NON-REFLECTIVE/ABSORPTIVE ULTRA BROAD BAND SOLID STATE SWITCH MODULE WITH OPERATING FREQUENCY OF 3 TO 15 GHz, 2.5dB INSERTION LOSS AND A RISE/FALL TIME SPECIFICATION OF 15ns MAXIMUM.

REVISIONS				
ZONE	REV.	DESCRIPTION	DATE	APPROVED
	1	ORIGINAL RELEASE	10/19/07	<i>fl</i>

SPECIFICATIONS:

- FREQUENCY: 3 TO 15GHz
- INSERTION LOSS: 2.5dB MAX
- ISOLATION: 40dB MIN.
- VSWR: ABSORPTIVE IN/OUT: 1.65:1
ABSORPTIVE OUT/OFF: 1.65:1
- SPEED: RISE: 15ns MAX.
FALL: 15ns MAX.
DELAY ON: 35ns MAX.
DELAY OFF: 35ns MAX.
- POWER INPUT: (CW)+20dBm (STANDARD), +10 dBm (HIGH SPEED)
- SURVIVAL POWER: 1 WATT CW, 10 WATTS PEAK 1 usec
- CONTROL: 4 TTL CONTROLS, 0=ON
- POWER SUPPLY: +5V @ 200 mA MAX.
-5V @ 100mA MAX.



NOTE:
 DR=WITH DRIVER, REFLECTIVE
 DT=WITH DRIVER, NON-REFLECTIVE/ABSORPTIVE

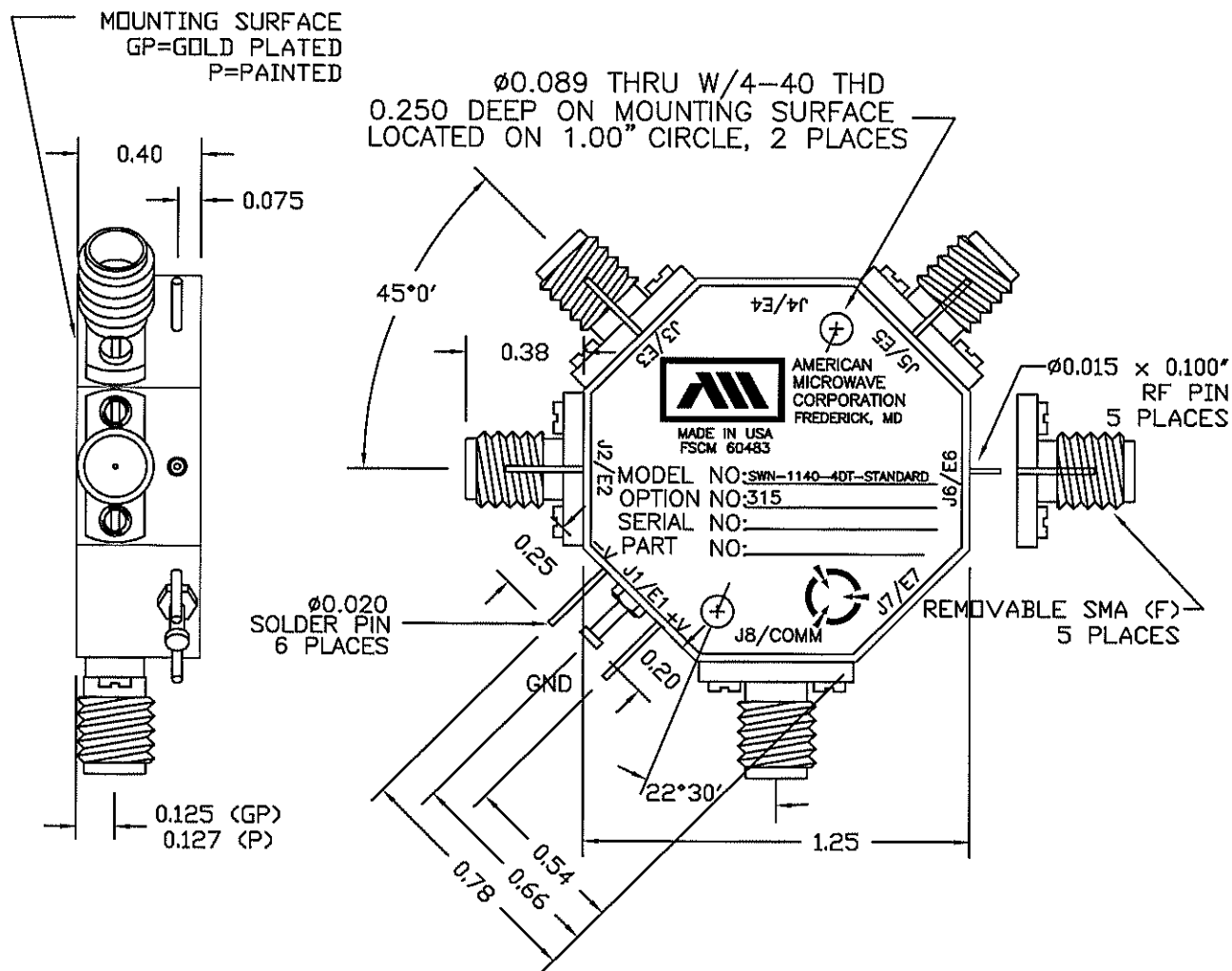
ALL DIMENSIONS ARE IN INCHES
 TOLERANCES:
 X.XX ±0.020
 X.XXX ±0.010

CONTRACT NO.		AMERICAN MICROWAVE CORPORATION FREDERICK, MARYLAND		
APPROVALS	DATE	TITLE OUTLINE DRAWING		
DRAWN <i>JCL/S</i>	10/19/07	SWN-1140-4DT-STANDARD OPTION 315 NON-REFLECTIVE/ABSORPTIVE RADIAL SOLID STATE SWITCH		
CHECKED <i>fl</i>	10/19/07	SIZE	FSCM NO.	DWG NO.
ISSUED		A	60483	100-4163-6
		SCALE	SHEET 1 OF 3	


DESCRIPTION:

AMC MODEL SWN-1140-4DT-STANDARD OPT. 315 IS A SINGLE POLE
 FOUR THROW, NON-REFLECTIVE/ABSORPTIVE ULTRA BROAD BAND
 SOLID STATE SWITCH MODULE WITH OPERATING FREQUENCY OF 3 TO 15 GHz,
 2.5dB INSERTION LOSS AND A RISE/FALL TIME SPECIFICATION OF 15ns MAXIMUM.

MECHANICAL OUTLINE



ALL DIMENSIONS ARE IN INCHES
 TOLERANCES:
 X.XX ±0.020
 X.XXX ±0.010

 AMERICAN MICROWAVE CORPORATION FREDERICK, MARYLAND			
TITLE MECHANICAL OUTLINE			
SWN-1140-4DT-STANDARD OPTION 315 NON-REFLECTIVE/ABSORPTIVE RADIAL SOLID STATE SWITCH			
SIZE	FSCM NO.	DWG NO.	REV.
A	60483	100-4163-6	-
SCALE	SHEET		2 OF 3
N/S			